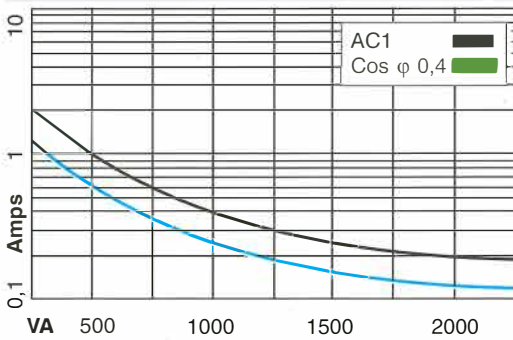
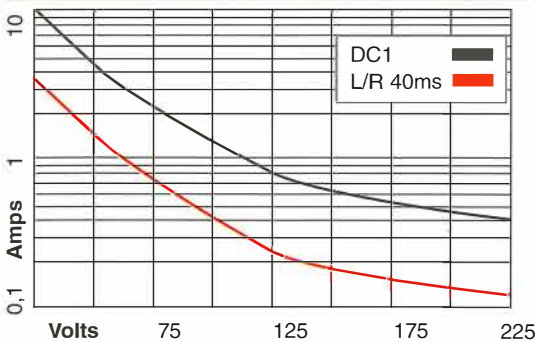


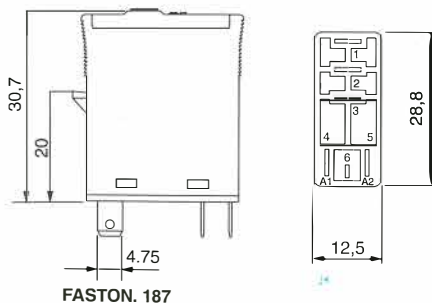
**Table 1** Electrical life, ops x 10<sup>6</sup>



**Table 2** Max. DC load



**Dimensions** mm.



# C14-G10



One open contact

**10A 250V AC1**  
**10A 30V DC1**

**0,8A 110V DC1**  
**0,4A 220V DC1**

**Contacts**

Materials : Standard, code 0	AgNi
Optional , code 8	AgNi + 10μ Au
Max. switching current	10A
Max. peak inrush current (20 ms.)	30A
Max. switching voltage	250 V
Max. AC load (Table 1)	2,5 KVA
Max. DC load	See Table 2

**Coils** (Ohms ± 10% @ 20°C)

Pull-in voltage	≤ 0,8 x Un
Drop-out voltage	≥ 0,1 x Un
Nominal coil power	1,1 VA (AC) / 0,7 W (DC)

Vac	Ω	mA	Vdc	Ω	mA
24	290	45	12	224	53
48	1.200	23	24	742	32
115	7.300	9,5	48	3.500	13,7
230	28.800	4,7	110	19.900	5,5

**Insulation**

Dielectric strength (1 minute):	
Open contacts	2.000 V
Between contacts and coil	5 KV
Isolation resistance at 500V	>3GΩ
Isolation, IEC 61810-5:	4 KV / 3

**Specifications**

Operate time + bounce time	10 ms.
Release time + bounce time	8 ms.
Ambient temperature	-40°C (no ice) ... +70°C
Mechanical life ops.	10 Mio. AC, 20 Mio. DC relays
Electrical life at nominal load	>100.000 ops.
Operating frequency at nominal load	1.200 / hour
Protection degree	IP40 / RT1
Weight avg.	21 gr.

**Standard types**

AC 50 Hz, (60 Hz): 24, 48, 115, (120), 230, (240)

C14-G10 .....	Vac
DC 12, 24, 48, 110	C14-G10 .....
	Vdc

The small size of type C14 ... does not allow to carry LED nor mechanical indication, nor testing button.



IEC 61810 EN 60947



**Kühn Controls AG**

**Notes:**

You want more information about this product, please call us: tel: +49 (0)7082-940000 or send us a fax: +49 (0)7082-940001, or email: [sales@kuehn-controls.de](mailto:sales@kuehn-controls.de) or visit our Website: [www.kuehn-controls.de](http://www.kuehn-controls.de)