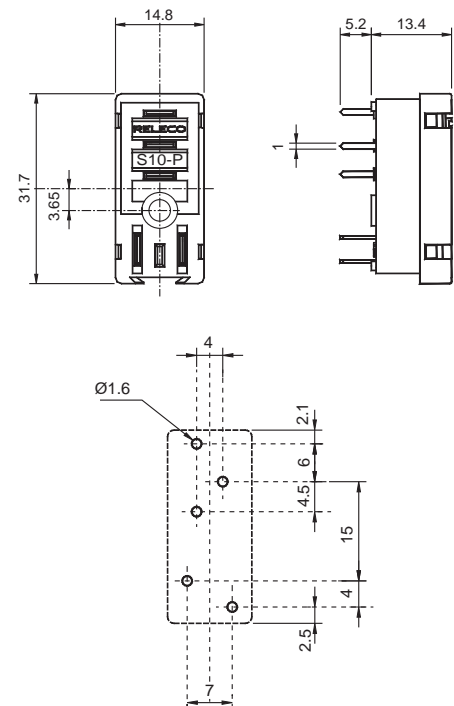


IRC series
S12-P
Printed circuit socket for Interface relays, C12

Type:	S12-P Printed circuit socket for 2-pole IRC relay
Rated current	5 A
Specifications	
Rated load	5 A/250 V
Insulation	V rms 1 min
- Contact/contact	3 kV
- Coil / contact	5 kV
Hard brass tin-plated terminals	0,5 x 1 mm
Integrated hold-down clip	



Dimensions [mm]



Technical approvals, conformities



IEC 61810 EN 60947



Kühn Controls AG

Notes:

You want more information about this product, please call us: tel: +49 (0)7082-940000 or send us a fax: +49 (0)7082-940001, or email: sales@kuehn-controls.de or visit our Website: www.kuehn-controls.de