



RELECO

INDUSTRIAL RELAY • STANDARD OCTAL AND 11 PIN BASE

1, 2 AND 3 CHANGE-OVER CONTACTS, 5 AND 10 A.

The **MR34** and **MR54** models are miniature relays housed in a standard size transparent cover, with an 8 or 11 pin base. 10 A. rating (silver/cadmium/oxide contacts) and 5 A. (fine silver).

The mechanical and electrical specifications and the base connecting are standard so that these relays are interchangeable with similar types of the majority of European and American makes.

MR34
MR54

SPECIFICATIONS

Contact material	Fine silver, gold flashed or silver/cadmium/oxide
Instantaneous overload	30 A.
Max. permanent load	10 A. } 10 A. Contacts
Max. release current	5 and 10 A (note)
Max. switching capacity (cos φ =1)	1,200 VA, 150 W, 240 W
Approximate sensitivity	2 VA ac; 1.2 W dc
Operating time	10-20 ms.
Release time	5-8 ms.
Net weight	86 grs.

(Note) - 5 A. with silver contacts. 10 A. with silver/cadmium/oxide. See Table I.

STANDARD MODELS

RELAY MR34

AC. 50-60 Hz

Normal coils values at 20° C			Change-over contacts		
Vac	Ω ± 10%	mA	1 C	2 C	3 C
6	6	330	Model No. MR34.1.006	Model No. MR34.2.006	Model No. MR34.3.006
12	25	170	Model No. MR34.1.012	Model No. MR34.2.012	Model No. MR34.3.012
24	100	83	Model No. MR34.1.024	Model No. MR34.2.024	Model No. MR34.3.024
50	360	45	Model No. MR34.1.050	Model No. MR34.2.050	Model No. MR34.3.050
110	2,100	20	Model No. MR34.1.110	Model No. MR34.2.110	Model No. MR34.3.110
127	2,400	17	Model No. MR34.1.127	Model No. MR34.2.127	Model No. MR34.3.127
220	8,500	10	Model No. MR34.1.220	Model No. MR34.2.220	Model No. MR34.3.220
240	9,500	9	Model No. MR34.1.240	Model No. MR34.2.240	Model No. MR34.3.240

All the coils are continuously rated and will operate at 80% of the nominal voltage.

RELAY MR54

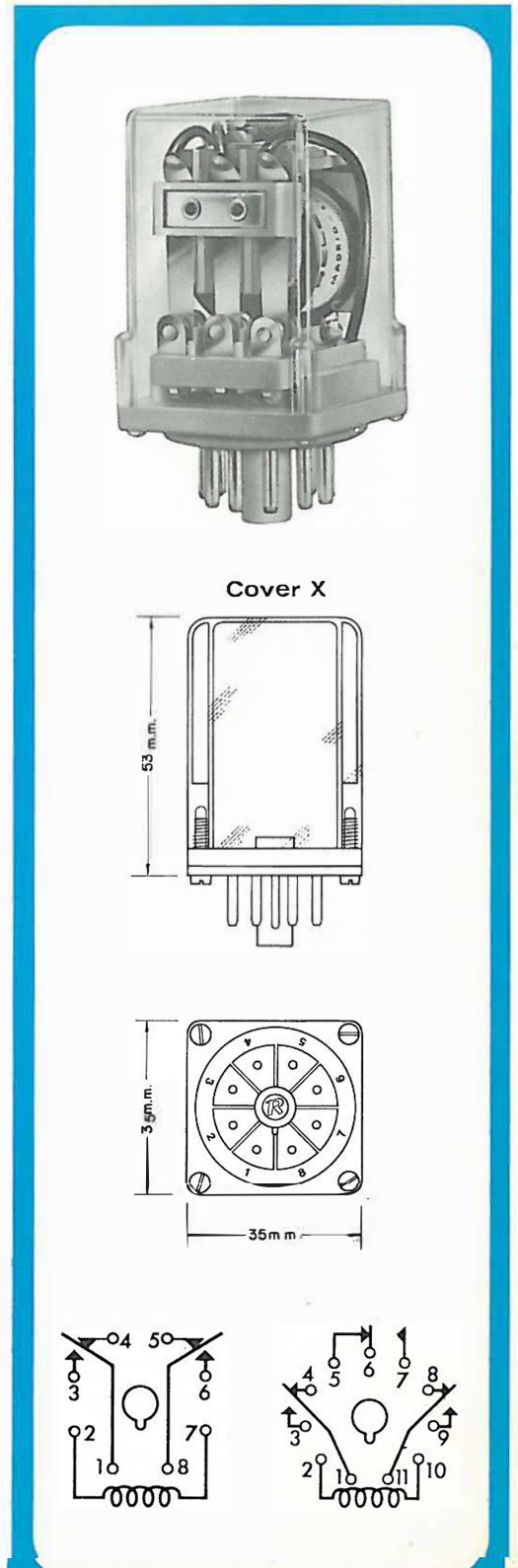
DC

Normal coils values at 20° C			Change-over contacts		
Vdc	Ω ± 10%	mA	1 C	2 C	3 C
6	32	200	Model No. MR54.1.006	Model No. MR54.2.006	Model No. MR54.3.006
12	110	100	Model No. MR54.1.012	Model No. MR54.2.012	Model No. MR54.3.012
24	470	50	Model No. MR54.1.024	Model No. MR54.2.024	Model No. MR54.3.024
48	2,000	24	Model No. MR54.1.048	Model No. MR54.2.048	Model No. MR54.3.048
60	3,000	20	Model No. MR54.1.060	Model No. MR54.2.060	Model No. MR54.3.060
110	10,000	11	Model No. MR54.1.110	Model No. MR54.2.110	Model No. MR54.3.110
220	20,000	(*) 8	Model No. MR54.1.220	Model No. MR54.2.220	Model No. MR54.3.220

For 220V (*), an 8,200 Ω/3W resistance must be connected in series with the coil.

All the coils are continuously rated and will operate at 75% of the nominal voltage.

(Note) - The models listed in the foregoing tables refer to 5 A. relays. For ordering a 10 A. relay, 10 should be added to the Model No. Example: **MR54.1.006.10** (Octal DC relay, 1c/o, 6V, 10A contacts).





Kühn Controls AG

Notes:

You want more information about this product, please call us: tel: +49 (0)7082-940000 or send us a fax: +49 (0)7082-940001, or email: sales@kuehn-controls.de or visit our Website: www.kuehn-controls.de