

MRC series
C2-G2x
8-pin standard relay, 2-pole according to IEC 67-I-5a

Type	C2-G2x/ ... V Standard relays, DC application 2 open contacts		
Maximum contact load	10 A/250 V AC1	1,2 A/110 V DC1	
	10 A/30 V DC1	0,4 A/220 V DC1	

Contacts			
Material	Standard	Code 0	AgNi
Rated current			10 A
Switch-on current max. (20 ms)			30 A
Switching voltage max.			250 V
AC load			2,5 kVA
DC load			see Fig. 2

Coil			
Coil resistance	see table; tolerance $\pm 10\%$		
Pick-up voltage	$\leq 0,8 \times U_N$		
Release voltage	$\geq 0,1 \times U_N$		
Nominal power	2,4 VA (AC)/1,6 W (DC)		

Coil table					
VAC	Ω	mA	VDC	Ω	mA
24	65	100	24	360	66
48	286	50	48	1K4	34
115	1K7	21	110	7K6	15
230	6K8	10	220	30K3	7,5

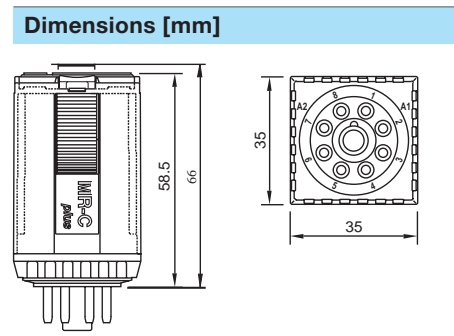
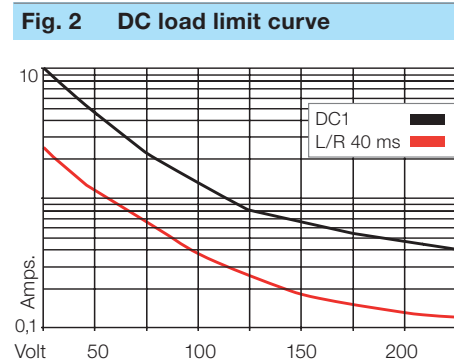
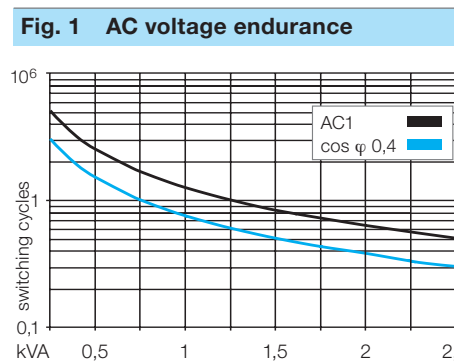
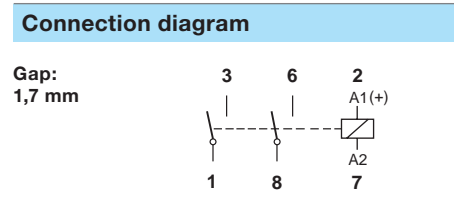
Insulation		Volt rms, 1 min
Contact open		2000 V
Contact/contact		2,5 kV
Contact/coil		2,5 kV
Insulation resistance at 500 V		$\geq 1 \text{ G}\Omega$
Insulation, EN 61810-5		2,5 kV/3

Specifications	
Ambient temperature operation/storage	-40 (no ice)...60 °C / -40 ... 80 °C
Pick-up time/bounce time	16 ms/ ≤ 3 ms
Release time/bounce time	8 ms/ ≤ 1 ms
Mechanical life	AC: 10 Mill./DC: 20 Mill. switching cycles
AC voltage endurance at rated load	≥ 100000 switching cycles
Switching frequency at rated load	≤ 1200 /h
Protection class	IP40
Weight	90 g

"..." Enter the voltage for full type designation

Standard types	
AC 50 Hz/60 Hz: 24, 48, 115, (120), 230, (240)	C2-G20/AC ... V
LED	C2-G20X/AC ... V
RC Suppressor	C2-G20R/AC ... V
DC 24, 48, 110, 220	C2-G20/DC ... V
LED	C2-G20X/DC ... V
Free wheeling diode	C2-G20DX/DC ... V
Polarity and free wheeling diode	C2-G20FX/DC ... V
AC/DC bridge rectifier 24 V, 48 V, 60 V	C2-G20BX/UC ... V

Accessories	
Socket:	S2-B, S2-S, S2-L, S2-P, S2-P0
Operational accessories (blanking plug):	SO-NP, SO-OP



Technical approvals, conformities

IEC 61810; EN 60947



Kühn Controls AG

Notes:

You want more information about this product, please call us: tel: +49 (0)7082-940000 or send us a fax: +49 (0)7082-940001, or email: sales@kuehn-controls.de or visit our Website: www.kuehn-controls.de