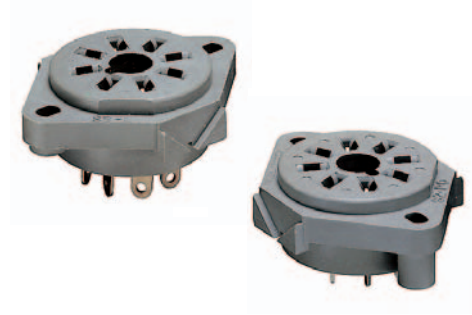
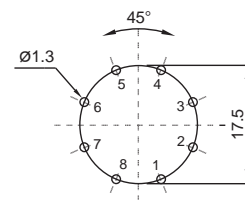


**MRC series**  
**S2-L, S2-P, S2-PO**  
**Socket for printed circuit according to IEC 67-I-5b for relays C2-...**

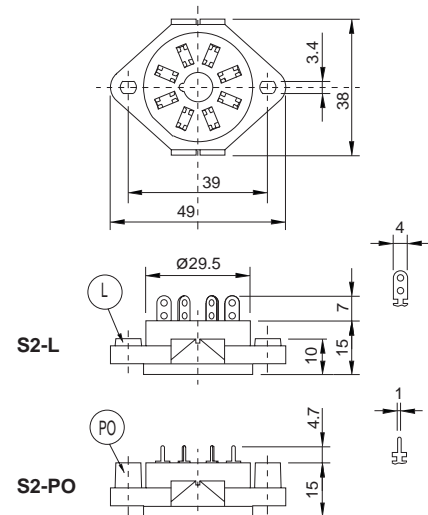
<b>Type</b>	<b>S2-L</b> 2-pole, fange panel mountable
	<b>S2-P</b> 2-pole, printed circuit
	<b>S2-PO</b> 2-pole, printed circuit with fange
<b>Rated current</b>	<b>10 A</b>
<b>Specifications</b>	
Rated load	10 A/300 V
Test voltage benachbarte Anschlüsse	2.5 kV rms 1 min
Connection label	1...8; DIN/EN
Ambient temperature operation/storage	-40 (no ice)...60 °C /-40 ... 80 °C
<b>Accessories</b>	
Retaining spring, steel	<b>S3-C</b>



**Printed circuit lay-out [mm]**



**Dimensions [mm]**



**Technical approvals, conformities**





**Kühn Controls AG**

**Notes:**

You want more information about this product, please call us: tel: +49 (0)7082-940000 or send us a fax: +49 (0)7082-940001, or email: [sales@kuehn-controls.de](mailto:sales@kuehn-controls.de) or visit our Website: [www.kuehn-controls.de](http://www.kuehn-controls.de)