

**MRC series**  
**S2-S**  
**Socket for 8-pin standard relay according to IEC 67-I-5B**

|                      |  |
|----------------------|--|
| <b>Type</b>          | <b>S2-S</b><br>2-pole, 2 connection level<br>Coding ring optional<br>Integrated retaining clip and labelling space |
| <b>Rated current</b> | <b>10 A</b>  |

**Specifications**

|  |  |
|--|--|
| Rated load                                   | 10 A/300V                                    |
| Insulation                                   | Test voltage V rms 1 min                     |
| - All terminals/DIN rail                     | 2,5 kV                                       |
| - Terminal/terminal                          | 2,5 kV                                       |
| Cross-section of connecting wire             |  |
| - Single-wire                                | 4 mm <sup>2</sup> or 2 x 2,5 mm <sup>2</sup> |
| - Multi-wire                                 | 22 - 14 AWG                                  |
| Max. screw torque                            | 1,2 Nm                                       |
| Screw dimensions                             | M3, Pozi, slot                               |
| Integrated retaining clip/plastic            | for relay series C2 detachable               |
| Labelling space                              | 1...8; DIN/EN                                |
| Connection label                             |  |
| Mounting                                     | DIN rail T35 or mounting plate               |
| <b>Ambient temperature operation/storage</b> | <b>-40 (no ice)...60 °C /-40 ... 80 °C</b>   |

**Associated, plug-in 8-pin MRC relays**

**C2-A, C2-G, C2-T**  
 Suitable for holding the Releco coding ring  
 For coding the relay and the socket.

**Accessories**

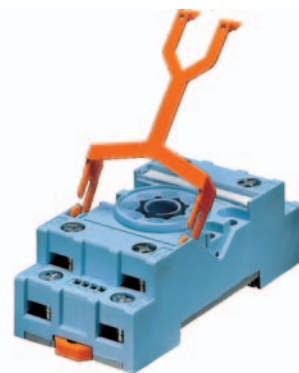
Coding ring, blue set:

**S2-BC**

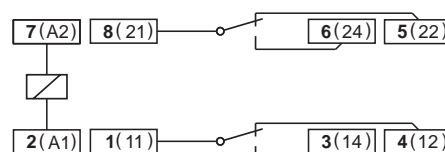
Packaging unit: 5 pcs

Retaining spring, steel

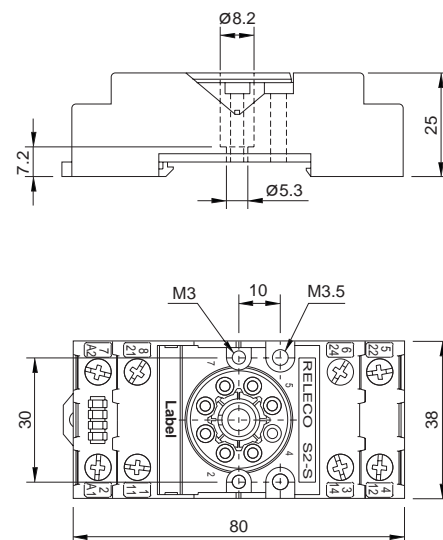
**S3-C, S3-CT** (with Timecube)



**Connection diagram**



**Dimensions [mm]**



**Technical approvals, conformities**



EN 60947-1, EN 61810-5



**Kühn Controls AG**

**Notes:**

You want more information about this product, please call us: tel: +49 (0)7082-940000 or send us a fax: +49 (0)7082-940001, or email: [sales@kuehn-controls.de](mailto:sales@kuehn-controls.de) or visit our Website: [www.kuehn-controls.de](http://www.kuehn-controls.de)