

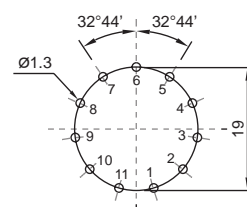
MRC series
S3-L, S3-P, S3-PO

Socket for printed circuit according to IEC 67-I-5b for relays C3-...

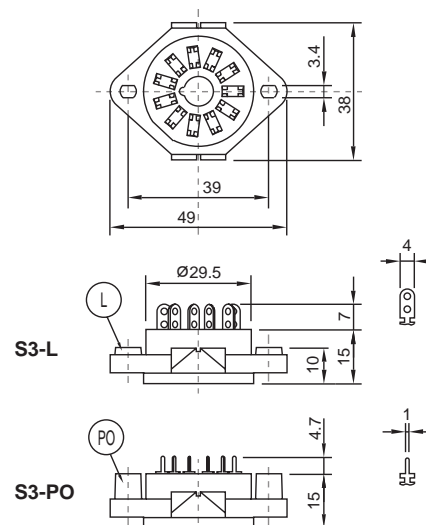
Type	S3-L 3-pole, fange panel mountable
	S3-P 3-pole, printed circuit
	S3-PO 3-pole, printed circuit with fange
Rated current	10 A
Specifications	
Rated load	10 A/250V
Dielectric strength adjacent pin	2.5 kV
Accessories	
Retaining spring, steel	S3-C



Printed circuit lay-out [mm]



Dimensions [mm]



Technical approvals, conformities





Kühn Controls AG

Notes:

You want more information about this product, please call us: tel: +49 (0)7082-940000 or send us a fax: +49 (0)7082-940001, or email: sales@kuehn-controls.de or visit our Website: www.kuehn-controls.de