

## MRC series

### S3-MS

#### Socket for 11-pin standard relay according to IEC 67-I-18b

**RELECO**

<b>Type</b>	<b>S3-MS</b> 3-pole, 1 connection level Coding ring optional Integrated retaining clip and labelling space Accepts plug-in modules M3-S in serie with the coil
<b>Rated current</b>	<b>10 A</b>
<b>Specifications</b>	
Rated load	10 A/250V
Insulation	Test voltage V rms 1 min
– All terminals/DIN rail	2,5 kV
– Terminal/terminal	2,5 kV
Cross-section of connecting wire	
– Single-wire	4 mm <sup>2</sup> or 2 x 2,5 mm <sup>2</sup>
– Multi-wire	22 - 14 AWG
Max. screw torque	1,2 Nm
Screw dimensions	M3, Pozi, slot
Integrated retaining clip/plastic	for relay series C2
Labelling space	detachable
Connection label	1...8; DIN/EN
Mounting	DIN rail T35 or mounting plate
Ambient temperature operation/storage	-40 (no ice)...60 °C /-40 ... 80 °C
<b>Associated, plug-in 11-pin-MRC-Relais</b>	<b>C3-A, C3-G, C3-T, C3-X, C3-M, C3-R, C3-E, C3-N</b>
Suitable for holding the Releco coding ring	
For coding the relay and the socket.	

#### Accessories

Coding ring, blue set:

Parallel module

Retaining spring, steel

#### S3-BC

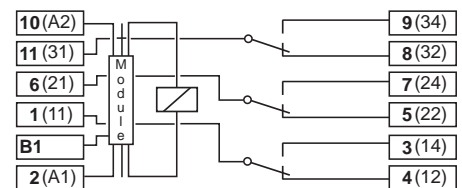
Packaging unit: 5 pcs

#### M3-S

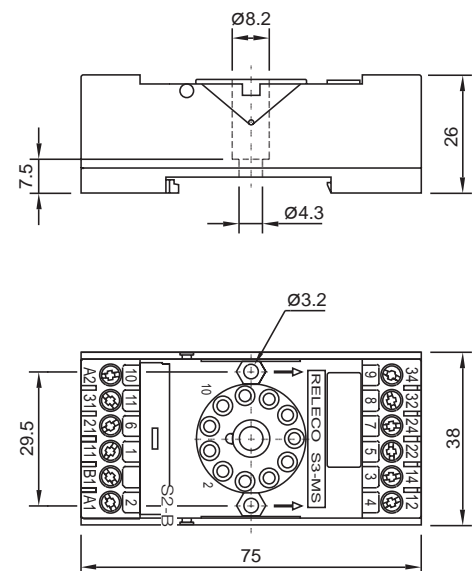
S3-C, S3-CT (with Timecube)



#### Connection diagram



#### Dimensions [mm]



#### Technical approvals, conformities





**Kühn Controls AG**

**Notes:**

You want more information about this product, please call us: tel: +49 (0)7082-940000 or send us a fax: +49 (0)7082-940001, or email: [sales@kuehn-controls.de](mailto:sales@kuehn-controls.de) or visit our Website: [www.kuehn-controls.de](http://www.kuehn-controls.de)