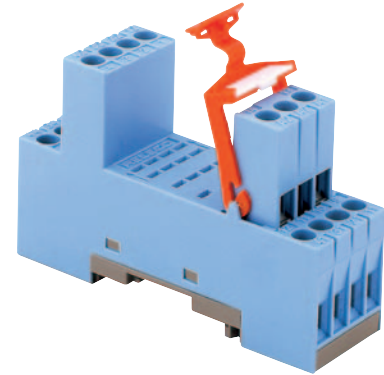
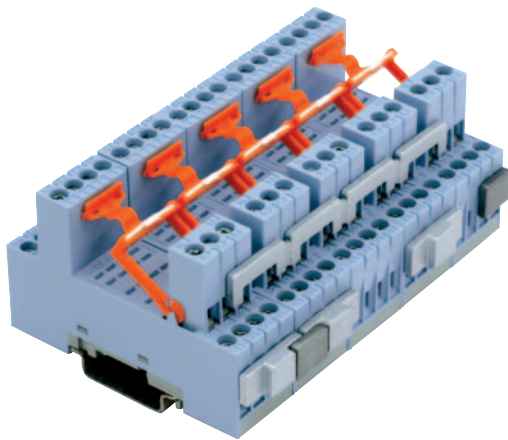


**QRC series**  
**S9-M**  
**Socket for miniature 4 pole relay C9-...**

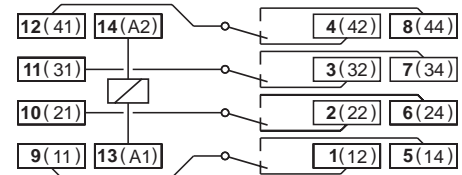
<b>Type</b>	<b>S9-M</b> 4-pole, 2 level integrated clip and marking label
<b>Rated current</b>	<b>6 A</b>
<b>Specifications</b>	
Rated load	6 A/250 V
Insulation	Test voltage V rms 1 min
- All terminals/DIN rail	2,5 kV
- Terminal/terminal	2,5 kV
Cross-section of connecting wire	
- Single-wire	4 mm <sup>2</sup> or 2 x 2,5 mm <sup>2</sup>
- Multi-wire	22 - 14 AWG
Max. screw torque	1,2 Nm
Screw dimensions	M3, Pozi, slot
Integrated retaining clip/plastic	for relay series C9
Labelling space	detachable
Connection label	1...14; DIN/EN
Mounting	DIN rail TS35 or mounting plate
Ambient temperature operation/storage	-40 (no ice)...60 °C /-40 ... 80 °C



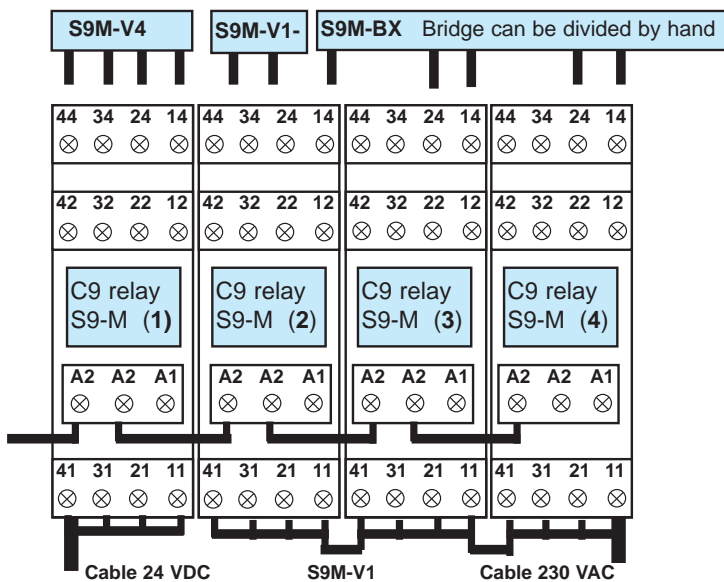
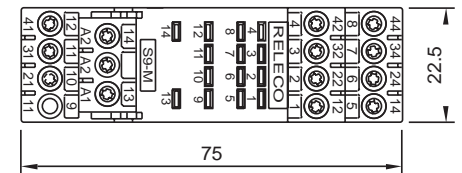
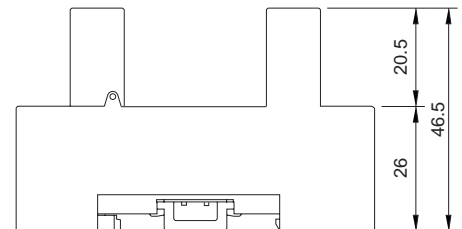
**Socket for 4 poles, QRC relays** **C9-A, C9-E, C9-R**



**Connection diagram**



**Dimensions [mm]**



**Technical approvals, conformities**



(D) (S) (FI) (N) EN 60947-1, EN 61810-5



**Kühn Controls AG**

**Notes:**

You want more information about this product, please call us: tel: +49 (0)7082-940000 or send us a fax: +49 (0)7082-940001, or email: [sales@kuehn-controls.de](mailto:sales@kuehn-controls.de) or visit our Website: [www.kuehn-controls.de](http://www.kuehn-controls.de)